

DXC-8R/10A/30

Multiservice Access Nodes



- Non-blocking digital cross-connect and traffic grooming
- E1/T1 conversion, including A-law/ μ -law and signaling conversion
- E1, T1, T3 and $n \times 56/64$ kbps services over copper or fiber media
- Optional common logic and power supply redundancy
- Inband, out-of-band, and RADview SNMP management

DXC-8R/10A/30 are the modular multiservice access nodes provide non-blocking cross-connection of up to 960 timeslots, over up to 120 ports.

Plug-in interface modules enable $n \times 64/56$ kbps, E1, T1, or T3 transmission over copper or fiber lines.

To meet the needs of different applications, the DXC-8R/10A/30 family has three chassis variants:

- DXC-8R (1U-high) chassis with 4 I/O module slots
- DXC-10A (1U-high) chassis with 5 I/O module slots
- DXC-30 (3U-high) chassis with 15 I/O module slots.

All units can be mounted in 19-inch racks.

APPLICATIONS

Typical applications for the DXC include:

- Local loop access with traffic grooming for redirecting voice and data to different trunks (see *Figure 1*)
- Voice and data transmission over PDH wireless devices (see *Figure 2*)
- Concentrating multiple fractional E1/T1 lines from a cellular base transceiver station (BTS) onto a full E1/T1 link to the mobile switch center (MSC) (see *Figure 3*).

DXC-8R/10A/30

Multiservice Access Nodes

CROSS-CONNECT

DXC-30 provides non-blocking DS0 cross-connect for up to 120 lines, DXC-10A supports up to 40 lines, and the smaller DXC-8R supports up to 32 lines. A user-programmable connection matrix routes any incoming 64/56 kbps timeslot to any outgoing 64/56 kbps timeslot. The system also enables drop-and-insert and broadcast applications.

To cross-connect $n \times 64$ kbps or $n \times 56$ kbps channels, the data is placed onto E1 or T1 frames using only the required number of timeslots. This provides fractional CSU/DSU functionality.

E1/T1 CONVERSION

DXC can function as a converter between 16 E1 ports and 16 T1 ports.

A-law/ μ -law and signaling conversion are performed according to the E1 and T1 standards.

ARCHITECTURE

The basic DXC-30 unit includes one power supply, one common logic module, and fifteen I/O slots for the plug-in interface modules. Optional redundancy for the common logic and power supply is available.

The basic DXC-10A unit includes one power supply, one common logic module, and five I/O slots for the plug-in interface modules.

The basic DXC-8R unit includes two power supplies and two common logic modules for system redundancy. The DC power supplies are hot-swappable. DXC-8R has four I/O slots for plug-in interface modules.

COMMON LOGIC MODULE

The DCL.3 common logic module stores the matrix configuration and event information, as well as the configuration for alarm masking. It communicates with the management station using a SLIP/PPP/Ethernet connection (by means of an SNMP agent). DCL.3 can pass management information received from 30 different remote sites, over TS 0 or any dedicated timeslot, to the central management site. Telnet and ASCII terminal management, and Flash for software download, are also supported.

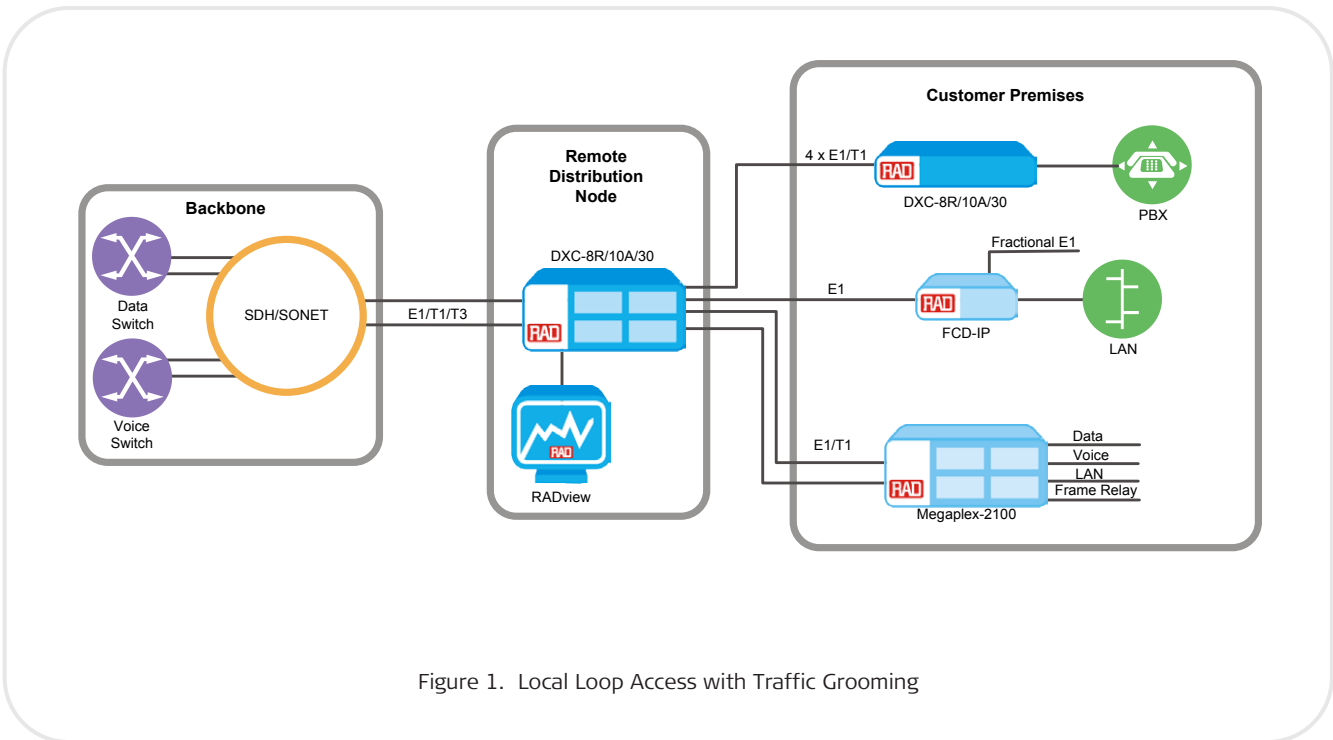


Figure 1. Local Loop Access with Traffic Grooming

I/O MODULES

DE1B is a two-port E1 module that supports both 2 and 16 frames per multiframe, TS 0 multiframe with CRC-4 and HDB3 line code, and unframed operation. DE1B provides BERT, loopback per timeslot, and 1:1 redundancy. DE1B is available with either copper or fiber optic interfaces.

D4E1 and **D8E1** are 4- and 8-port E1 modules that provide 4 or 8 E1 links over copper cables, with built-in LTU, and operate at E1 or fractional E1 rates.

D4T1 and **D8T1** are 4- and 8-port T1 modules that provide 4 or 8 T1 links over copper cables, with built-in CSU, and support T1 or fractional T1 rates.

DHS is a two-port $n \times 64/56$ kbps data module that provides two high-speed synchronous data channels. Each channel can be ordered independently with a V.35, V.11/RS-422, V.24, or X.21 interface. Ethernet 10/100 Mbps bridge and IP router versions are also available. Synchronous channels operate at data rates of $n \times 64/56$ kbps (where n is 1 to 24 for T1, and 1 to 31 for E1).

D8HS is an 8-port $n \times 64/56$ kbps data module that provides eight high-speed synchronous data channels. Each data channel operates at data rates of $n \times 64/56$ kbps (where $n = 1$ to 24 for T1 and 1 to 32 for E1 links).

DT3 is a single-port T3 interface module that multiplexes up to 28 T1 channels into a T3 frame with either C-bit parity or M13. DT3 is available with either copper or fiber optic interfaces.

Note: Refer to Table 1, and see separate data sheets for detailed specifications.

Table 1. DXC I/O Modules

Module	Line	Number of Ports	Protocol
D4E1, D8E1	Copper	4/8	E1
D4T1, D8T1	Copper	4/8	T1
D8HS	Copper	8	Serial
DE1B	Copper/Fiber optic	2	E1
DHS	Copper	2	Serial
DT3	Copper/Fiber optic	1	T3

DXC-8R/10A/30

Multiservice Access Nodes

MANAGEMENT AND SECURITY

Status and diagnostic information is defined, configured, and monitored over an Ethernet management port, using an ASCII terminal with SLIP or PPP protocols. A built-in SNMP agent enables configuration and diagnostics of remote devices (up to 30 remote locations) using TS 0, a dedicated timeslot on the E1/T1 trunk, or Telnet.

A separate dial-in/dial-out port enables remote configuration (dial-in) and automatic alarm indication (dial-out). For dial-out operation, an external modem is activated to automatically dial a pre-programmed number whenever an alarm event occurs.

The network management system provides centralized control of all network nodes, including interface configuration, connection setup, and alarm management. Alarm status and system configurations are available at all times.

Multiple DXC hubs can be managed with RAD's UNIX-based SNMP management systems and RADview-EMS/TDM.

A remote DXC can be programmed and setup in two either of two ways:

- Out-of-band: via the Ethernet management port, the supervisory port of the remote unit, a modem link, or a FRAD
- Inband: via either a TS 0/F-bit or a dedicated timeslot using FR, PPP and RIP2 standard protocols.

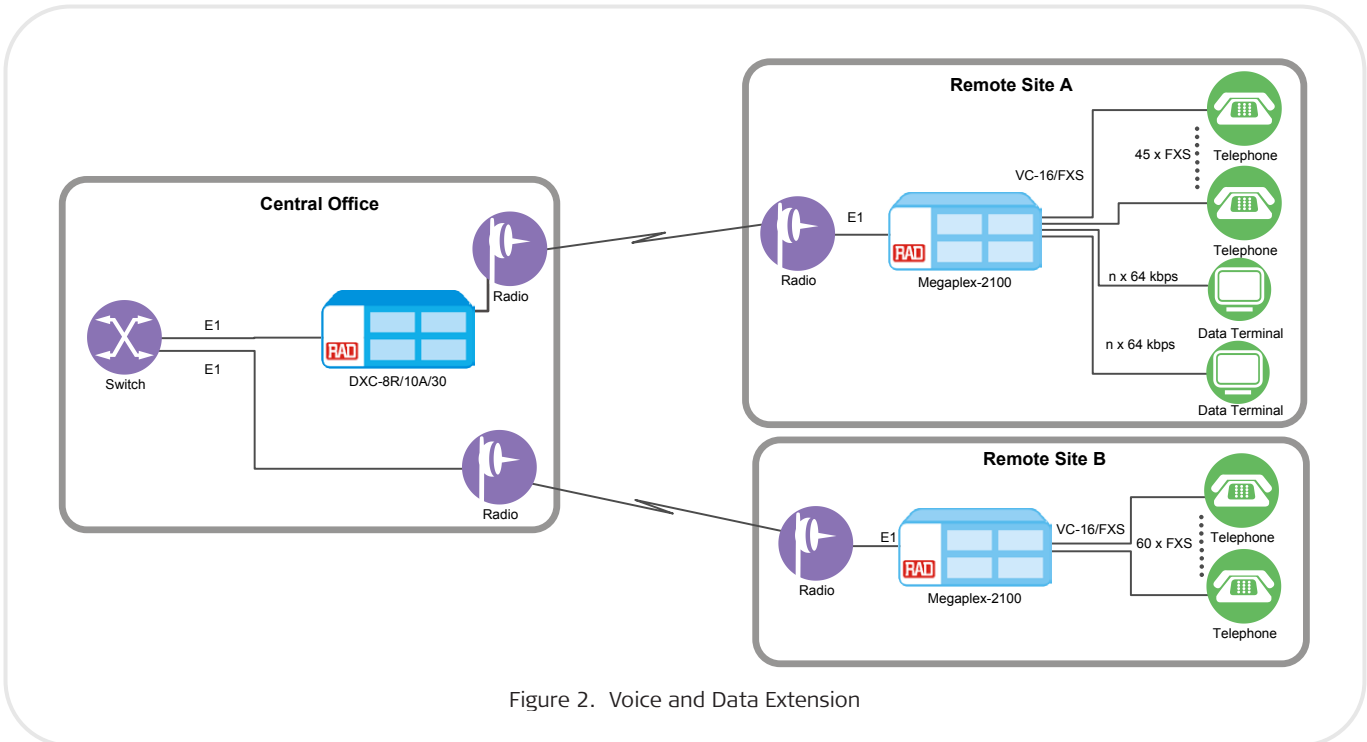


Figure 2. Voice and Data Extension

MONITORING AND DIAGNOSTICS

DXC provides diagnostic loopbacks for each E1/T1 or $n \times 64/56$ kbps module. E1 and T1 modules perform loopbacks per timeslot, including an internal BERT, and loopbacks toward the local or remote DTE. T1 modules also perform PLB or LLB code injection per ANSI T1.403. Any port can be configured to test and monitor data on any given port of the chassis.

Enhanced statistics capabilities include T1 ESF diagnostics according to ANSI T1.403 and RFC 3895; E1 CRC-4 diagnostics per ITU-T Rec. G.706, and T3 diagnostics per RFC 3896, ANSI T1 107/107a.

TIMING

System timing options include internal clock, external station (master) clock, and loopback timing from any selected external port.

RESILIENCY

System hardware redundancy is possible by means of an optional redundant power supply and common logic (all chassis versions except DXC-10A).

DXC I/O modules have three types of redundancy:

- Line redundancy (single-slot, 1:1) ensures protective switching between ports on the same module in less than 50 msec.
- Hardware (Y-cable) redundancy between modules protects the service from hardware failure. Only copper interfaces offer this type of redundancy.
- T3 line and dual-slot hardware redundancy is achieved by installing two DT3 modules in a chassis with only one module being active.

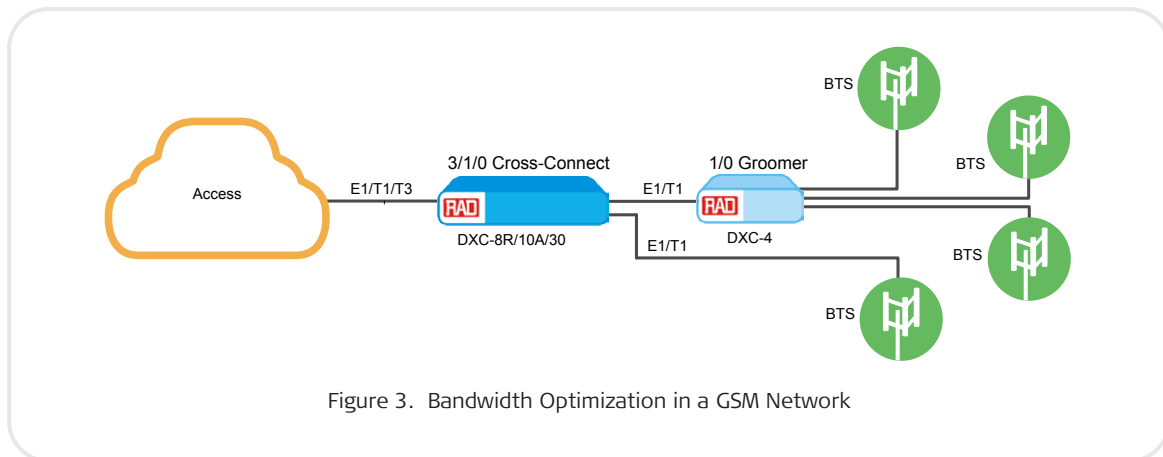


Figure 3. Bandwidth Optimization in a GSM Network

DXC-8R/10A/30

Multiservice Access Nodes

Specifications

Timeslots

Any timeslot to any timeslot, with/without A-law/ μ -law and/or signaling conversion per timeslot

Unused Timeslot Code

Any user-defined code

Clock Sources

Internal clock (± 32 ppm)
External clock (G.703, RS-422)
Receive clock (from any port)

Station Clock

Data rate: 1.544/2.048 Mbps (selectable)
Compliance: ITU-T Rec. G.703 or V.11/RS-422
Connectors:
RJ-45, balanced
BNC coaxial, unbalanced

Elastic Buffer

Buffer length: ± 1 E1/T1 frame
Underflow: 1 frame repeated
Overflow: 1 frame skipped (no frame sync loss for buffer overflow or underflow)
Data delay: up to 375 μ sec
Signaling buffer: ± 1 E1/T1 multiframe

Diagnostics

Local loopbacks on all external and internal ports (except VC-4)
Remote loopbacks on all external and internal ports (except VC-4, VC-12)
Code activated network loopbacks per ANSI T1.403 on T1 interface modules
Loopback for any timeslot per ANSI 403 RDL on E1 and T1 interface modules
Built-in BERT on all external E1, T1, DHS, and DIM ports
Alarm mask (user-defined)

Statistics

E1 CRC-4:

- Per ITU-T Rec. G.706; RFC 3895, 3896
- Local support equivalent to AT&T 54016

T1, ESF:

- Full support according to ANSI T1.403
- Local support according to AT&T 54016 and RFC 3895
- Transparent FDL between ports

T3: RFC 3896, ANSI T1 107, ANSI T1 107a

Ethernet Management Port

Ethernet: 10/100BaseT

Indicators

Front panel: Major alarm, minor alarm, test, on-line (per power supply), on-line (per common logic)

Rear panel: module indicators (see separate data sheets)

Power

100–240 VAC, 47 to 63 Hz
–48 VDC nominal

Power Consumption

DXC-8R: 72W (DC), 60W (AC)
DXC-10A: 75W (DC), 60W (AC)
DXC-30: 120W (DC), 120W (AC), 250W (DC, high-power chassis)

Physical

DXC-30:
Height: 13.2 cm (5.25 in (3U))
Width: 43.8 cm (17 in)
Depth: 25.4 cm (10 in)
Weight: Less than 8 kg (17 lb)

DXC-10A and DXC-8R:
Height: 4.4 cm (1.75 in (1U))
Width: 44.0 cm (17.3 in)
Depth: 25.4 cm (10 in)
Weight: Less than 2.5 kg (5.5 lb)

Note: All weights are given for fully equipped chassis.

Environment




Temperature: DXC-8R, 10A: 0° to 50°C (32° to 122°F)

DXC-30: 0° to 45°C (32° to 113°F)

Note: For extended temperature ranges, contact your local RAD partner.

Humidity: Up to 90%, non-condensing

Table 2. DXC Chassis Specifications

	DXC-8R	DXC-10A	DXC-30
Feature			
Height	1U	1U	3U
Maximum number of ports	32	40	120
Number of I/O slots	4	5	15
System redundancy	Built-in	None	Optional

DXC-8R/10A/30

Multiservice Access Nodes

Ordering

Basic units, additional system modules, and I/O modules are ordered separately. When ordering I/O module, refer to the module data sheet.

BASIC UNITS

DXC-30-3/UTP/*/~

3U-high chassis with 15 I/O slots, one power supply, and one common logic module **DXC-10A-3/UTP/~**

1U-high chassis with 5 I/O slots, one power supply, and common logic module

DXC-8R-3/UTP/~

1U-high chassis with 4 I/O slots, two power supplies, and two common logic modules

SYSTEM MODULES

DXC-30M-CL.3/UTP

Common logic modules for DXC-8R, DXC-10A, or DXC-30

DXC-30M-PS/~

Power supply module for DXC-30

DXC-8RM-PS/48

DC power supply module for DXC-8R

Legend

* Redundancy:

R Power supply and common logic redundancy

~ Power supply:

AC 100 to 240 VAC

48 48 VDC

48HP DXC-30 high-power chassis only (this unit requires a fan tray)

SUPPLIED ACCESSORIES

Mounting kits are supplied according to the device ordered.

RM-DXC8R

19-inch rack mount kit for DXC-8R

RM-DXC10A

19-inch rack mount kit for DXC-10A

RM-DXC30

19-inch rack mount kit for DXC-30

AC power cord (supplied when AC power supply is ordered)

DC adapter plug (supplied when DC power supply is ordered)

OPTIONAL ACCESSORIES

CBL-DB9F-DB9M-STR

Control cable

DXC-30M-FT/#

Fan tray for DXC-30

Legend

Power supply for fan tray:

AC 100 to 240 VAC

48 48 VDC

772-100-11/15 (11.13) Specifications are subject to change without prior notice. © 1988-2015 RAD Data Communications Ltd. RAD products/technologies are protected by registered patents. To review specifically which product is covered by which patent, please see rad.com. The RAD name, logo, logotype, and the product names MIND, Optinix, Airmux, and Ipmux, are registered trademarks of RAD Data Communications Ltd. All other trademarks are the property of their respective holders.

International Headquarters

24 Raoul Wallenberg Street
Tel Aviv 69719, Israel
Tel. 972-3-6458181
Fax 972-3-6498250, 6474436
E-mail market@rad.com



<http://www.cbnetworks.fr>

12 avenue des prés
78059 St Quentin en Yvelines

Tel: 33 (0)1 77 55 03 00

Fax: 33 (0)1 30 44 11 95

E-mail: sales@cbnetworks.fr



Your Network's Edge