

FCD-155E

STM-1/OC-3 Add-Drop Multiplexer



- STM-1/OC-3 PDH/Ethernet add/drop multiplexer for grooming LAN and legacy (TDM) traffic over SDH/SONET networks
- Ethernet traffic mapped to 1 VC-3/VC-4/STS-1, up to 3 VC-3/STS-1, up to 63 VC-12 or 84 VT-1.5
- 1+1 MSP/APS redundancy
- PDH interface for 8 or 21 E1 (G.703), 8 or 28 T1 (G.703), 1 E3/T3, or 1 E3/T3 with 21/28 E1/T1 ports
- 10/100BaseT interface with VLAN support and point-to-multipoint switching capability

FCD-155E is an STM-1/OC-3 add/drop multiplexer that transports LAN and traditional (TDM) traffic over SDH/SONET networks. When bandwidth granularity of the Ethernet channel is configured to 2 Mbps (VC-12) or 1.5 Mbps (VT-1.5), FCD-155E utilizes the SDH/SONET infrastructure for cost-effective connectivity.

Optional PDH interface modules include:

- 8- or 21-port E1
- 8- or 28-port T1
- Single-port E3/T3
- Single-port E3 with 21-port E1

Single-port T3 with 21-port E1 or 28-port T1

Optional Ethernet interface configurations include:

- 2-port bridging 10/100BaseT
- 6-port 10/100BaseT (two bridging and four transparent ports).

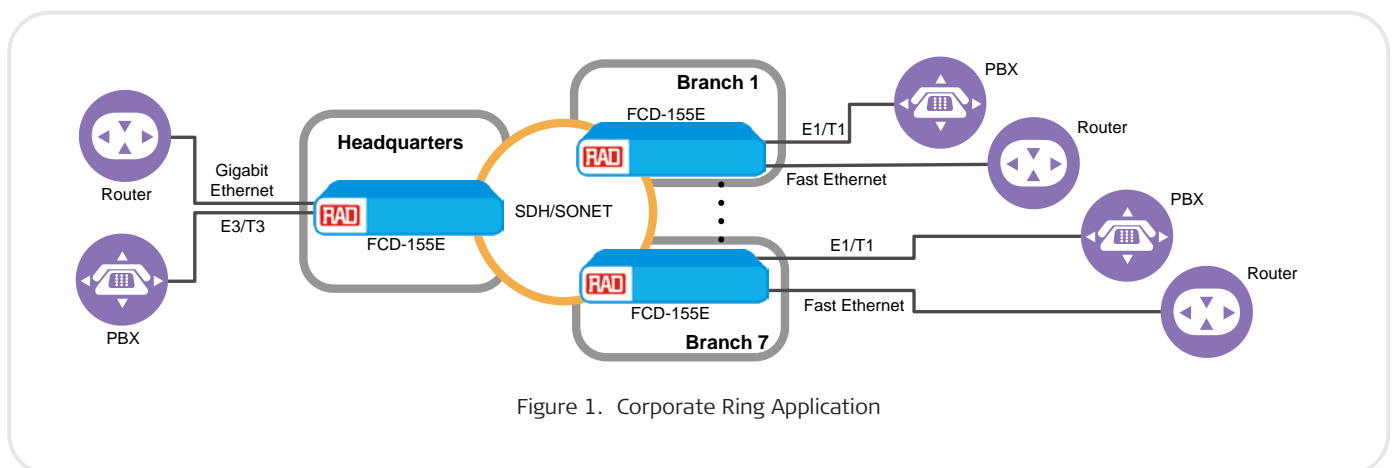


Figure 1. Corporate Ring Application

FCD-155E

STM-1/OC-3 Add-Drop Multiplexer

NETWORK INTERFACE

The STM-1/OC-3 interfaces are user-configurable and provide a high-quality and high-availability link, as well as performance monitoring of the traffic path.

The STM-1/OC-3 link is supplied with an SFP socket (see *Ordering*). It is strongly recommended to order this device with **original RAD SFPs installed**. This will ensure that prior to shipping, RAD has performed comprehensive functional quality tests on the entire assembled unit, including the SFP devices. RAD cannot guarantee full compliance to product specifications for units using non-RAD SFPs.

The user can define the following SDH/SONET clock sources:

- Internal
- Recovered from the STM-1/OC-3 interface, including automatic selection based on SSM (Synchronization Status Messaging)
- External E1
- Station clock.

FCD-155E features an optional ADM configuration mechanism with SNCP path protection.

Optional 1+1 link protection mechanism (unidirectional MSP/APS) and SNCP path protection are also available.

Maintenance capabilities include user-activated local loopbacks and remote loopbacks on the STM-1/OC-3 main link and PDH tributaries.

ETHERNET INTERFACE

The 2-port 10/100BaseT interface includes a built-in Ethernet bridge that supports VLAN according to IEEE 802.1Q and 802.1p.

The 4-port transparent LAN extension, without bridge functionality, creates total separation between customers, for security. The maximum frame length is 2 kB.

The 10/100BaseT LAN interface features autonegotiation for plug-and-play Ethernet connectivity and complies to IEEE 802.3/Ethernet V.2 standards. The interface also features VLAN stacking.

Ethernet traffic is mapped into SDH/SONET containers using VCAT and encapsulated with:

- Generic Framing Procedure (ITU-T G.7041, ANSI T1-105.02), framed mode
- Link Access Procedure for SDH/SONET (LAPS) protocols following draft recommendation ITU-T X.85/X.86.

Each user's Ethernet traffic can be mapped into SDH/SONET virtual containers in any of the following ways:

- Up to 63 × VC-12, or 84 × VT-1.5
- 3 × VC-3/STS-1
- 1 × VC-4.

Ethernet traffic can be switched to different bundles of virtually concatenated VCs (up to 8 bundles) according to a predefined group.

Link Capacity Adjustment Scheme (LCAS) is supported in compliance with the G.7042 standard, which allocates bandwidth according to Ethernet traffic.

SDH/SONET media can transport basic Ethernet packets of up to 1536 bytes enabling connection to MPLS networks.

The Spanning Tree Protocol (STP) and Rapid Spanning Tree Protocol (RSTP) support Layer 2 ring applications.

TDM INTERFACES

FCD-155E has an optional interface module consisting of 8 or 21 balanced E1 or 8 or 28 T1 ports that transfer transparent data in compliance with G.703. The unbalanced E1 interface is software-selectable.

An optional E3/T3 interface module transports unframed E3/T3 data over SDH/SONET.

Another optional interface module combines E3 or T3 with 21 E1 ports, or T3 with 28 T1 ports.

TDM traffic is mapped into SDH/SONET VC-12/VC-11/VC-3 or SONET VT1.5/STS-1 containers that can be placed anywhere within the STM-1/OC-3 bandwidth.

MANAGEMENT AND SECURITY

Remote units can be managed in the following ways:

- Via DCC based on IP/PPP protocols
- Via a dedicated virtual group containing at least one VC-12/VT-1.5 channel
- Inside the user traffic in a virtual group, separated from the user traffic by the GFP Channel ID or VLAN tag
- Out-of-band, via direct connection to one of the LAN ports.

Status and diagnostic information is defined, configured, and monitored using one of the following methods:

- ASCII terminal connected to the V.24/RS-232 control port
- Telnet host via management platform or LAN port
- Network management station running RADview, the RAD SNMP network management application

- TFTP applications to update software and upload/download remote configurations
- Web Based element manager.

MONITORING AND DIAGNOSTICS

FCD-155E has comprehensive diagnostic capabilities, including:

- Ethernet and SDH/SONET link monitoring
- Real-time alarms to alert the user of fault conditions. Alarms are reported to the management station and simultaneously relayed through a dry contact port.

ARCHITECTURE

AC or DC power supplies are provided with an alarm-activated fan for forced-air cooling. They are available in redundant and mixed AC/DC power supply configurations.

FCD-155E is a compact 1U high 19-inch unit that can be mounted in a 19-inch rack with the optional rack-mount kit (see *Ordering*).

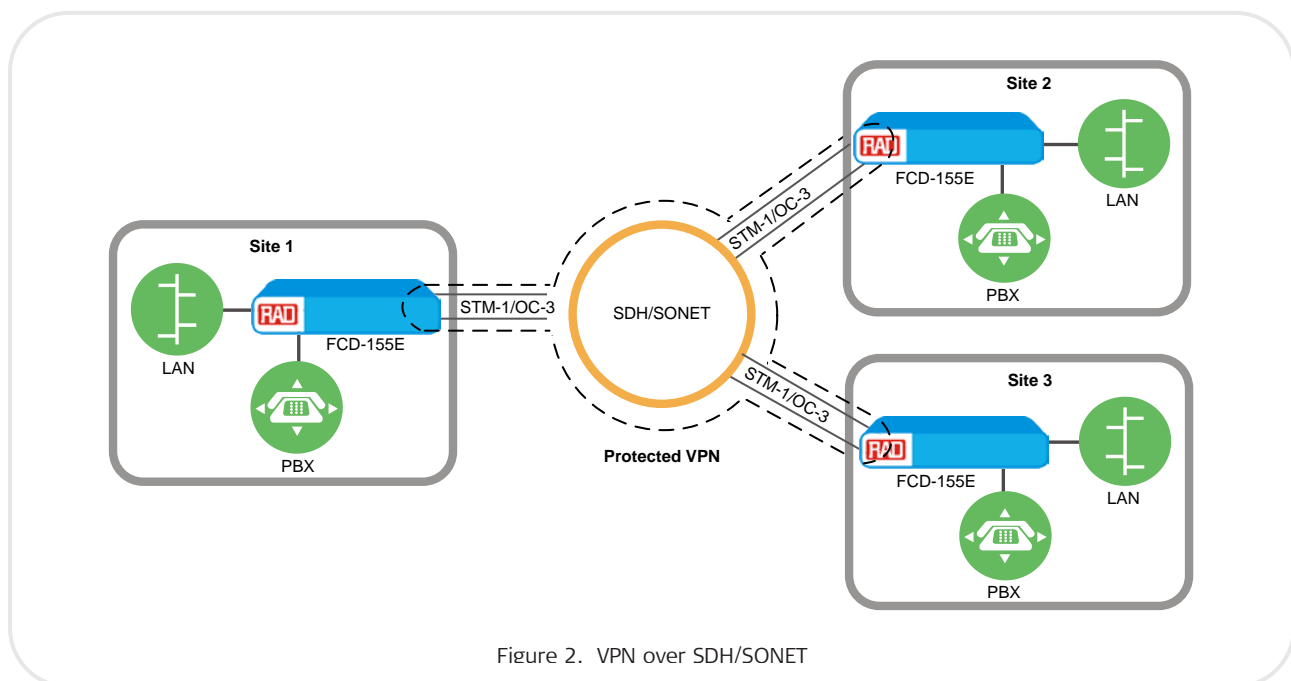


Figure 2. VPN over SDH/SONET

FCD-155E

STM-1/OC-3 Add-Drop Multiplexer

Specifications

STM-1/OC-3 NETWORK INTERFACE

Number of Ports

1 (second link available for redundancy or ring support)

Bit Rate

155.52 Mbps ±20 ppm

SFP Transceivers

Characteristics: See *Table 1*

Options: See *Ordering*

Timing

Internal clock

Recovered from the STM-1/OC-3 interface

External clock from PDH tributary

Station clock

Compliance

SDH: ITU-T G.957

SONET: GR-253-core

Framing

SDH: ITU-T G.707, G.708, G.709

SONET: ANSI T1.105-1995,
GR-253-core

Line Code

NRZ

ETHERNET INTERFACE (OPTIONAL)

Number of Ports

2 or 6 10/100BaseT ports

Compatibility

Relevant sections of IEEE 802.3u, 802.3x, 802.1D and 802.1Q

LAN Table

2,048 MAC addresses with selectable automatic aging time

Data Rate

10BaseT: 10 Mbps

100BaseT: 100 Mbps

Autonegotiation

Connectors (per port)

RJ-45, shielded

Table 1. SFP Interface Characteristics

	Transceiver	Wavelength [nm]	Fiber Type [μm]	Transmitter Type	Connector Type	Input Power [dBm]		Output Power [dBm]		Typical Max. Range	
						(min)	(max)	(min)	(max)	[km]	[miles]
STM-1/OC-3 Uplink	SFP-1	1310	62.5/125 multimode	LED	LC	-30	-14	-20	-14	2	1.2
	SFP-2	1310	9/125 single mode	Laser	LC	-28	-8	-15	-8	15	9.3
	SFP-3	1310	9/125 single mode	Laser	LC	-34	-10	-5	0	40	24.8
	SFP-4	1550	9/125 single mode	Laser	LC	-34	-10	-5	0	80	49.7
	SFP-11	Copper uplink	Coaxial cable 75Ω	-	Mini-BNC	-	-	-	-	0.135*	0.08*
	SFP-18A	Tx - 1310 Rx - 1550	9/125 single mode (single fiber)	Laser (WDM)	LC	-28	-8	-5	0	40	24.8
	SFP-18B	Tx - 1550 Rx - 1310	9/125 single mode (single fiber)	Laser (WDM)	LC	-28	-8	-5	0	40	24.8
	SFP-19A	Tx - 1490 Rx - 1570	9/125 single mode (single fiber)	Laser (WDM)	LC	-30	-8	0	+5	80	49.7
	SFP-19B	Tx - 1570 Rx - 1490	9/125 single mode (single fiber)	Laser (WDM)	LC	-30	-8	0	+5	80	49.7

* Using RG59 B/U.

E1/T1 PDH INTERFACE

Number of Ports

8 E1, 21 E1, 8 T1, or 28 T1

Compatibility

ITU-T Rec. G.703, unframed

Nominal Data Rate

E1: 2.048 Mbps

T1: 1.554 Mbps

Line Code

E1: HDB3

T1: B8ZS

Impedance

E1: 120Ω balanced or
75Ω unbalanced

T1: 100Ω balanced

Maximum Line Attenuation

36 dB (LTU mode)

12 dB (DSU mode)

Timing

Source clock is recovered from the receive signal coming from the remote E1/T1 side

Locked to the SDH/SONET interface clock

Connectors

8 E1, 8 T1: DB-44

21 E1, 28 T1: DB-62

E3/T3 PDH INTERFACE (OPTION)

Number of Ports

1

Compatibility

ITU-T Rec. G.703, unframed

Data Rate

E3: 34.368 Mbps

T3: 44.736 Mbps

Framing

Unframed

Line Code

E3: HDB3

T3: B3ZS

Line Impedance

75Ω

Connector

2 BNC female

Timing

Source clock is recovered from the receive signal from the remote E3/T3 side

Locked to the SDH/SONET interface clock

MANAGEMENT

Control Port

Interface: V.24/RS-232

Connector: 9-pin D-type, female

Format: Asynchronous

Baud rate: 0.3-115.2 kbps

Selectable word format: 7 or 8 bits, no parity, 7 bit odd or even parity

Out-of-Band Access

Single Ethernet port FCD-155E version:
NG ETH port

Other FCD-155E versions:
ETH 1 and ETH 2 ports (through internal Ethernet switch)

DIAGNOSTICS

Alarms

Last 100 alarms are time stamped, stored, and available for retrieval

Alarm Relay Port

Operation: normally open, normally closed, using different pins

Connector: 9-pin, D-type, female

INDICATORS

System

PWR (green) - Power

TST (yellow) - Test

MAJ ALM (red) - Major alarm

MIN ALM (red) - Minor alarm LOC SYNC

LOSS (red) - Local loss of synchronization on the STM-1/OC-3 links

REM SYNC LOSS (red) - Remote loss of synchronization on the STM-1/OC-3 links

ETH, MNG (per port)

LINK (green) - LAN link integrity

ACT (yellow) - LAN data activity

E1/T1 PDH Interface (per port)

LOS (red) - Link signal loss

AIS (red) - Alarm indication signal on link

E3/T3 PDH Interface

LOS (red) - E3/T3 link signal loss

STM-1/OC-3 Main Links

LOS (red) - STM-1/OC-3 link signal loss

ON LINE (green) - STM-1/OC-3 link is active (indicator is on) or standby (indicator is blinking)

Station Clock

ON (green) - Station clock port is connected

LOS (red) - Station clock signal loss

GENERAL

Power

100 to 240 VAC ±10%, 50 to 60 Hz

-48 VDC (-40 to -72 VDC)

+24VDC

Power Consumption

30W

Physical

Height: 4.4 cm (1.7 in)

Width: 44.0 cm (17.3 in)

Depth: 25.4 cm (10.0 in)

Weight: 4.1 kg (9.0 lb)

Environment

Temperature: -10° to 60°C (14° to 140°F)

Humidity: Up to 90%, non-condensing

FCD-155E

STM-1/OC-3 Add-Drop Multiplexer

Ordering

RECOMMENDED CONFIGURATIONS

FCD-155E/48R/2U/21E1

Redundant DC power supply, 2 bridging 10/100BaseT ports, 21 × E1 ports

FCD-155E/AD/2U/21E1

Redundant 100 to 240 VAC and -48 VDC power supply, 2 bridging 10/100BaseT ports, 21 × E1 ports

FCD-155E/AD/6U/8E1

Redundant 100 to 240 VAC and -48 VDC power supply, 2 bridging and 4 transparent 10/100BaseT ports, 8 × E1 ports

FCD-155E/48R/6U

Redundant DC power supply, 2 bridging and 4 transparent 10/100BaseT ports

FCD-155E/AC/6U/21E1

100 to 240 VAC power supply, 2 bridging and 4 transparent 10/100BaseT ports, 21 × E1 ports

FCD-155E/AC/2U/21E1

100 to 240 VAC power supply, 2 bridging 10/100BaseT ports, 21 × E1 ports

FCD-155E/AC/2U/8E1

100 to 240 VAC power supply, 2 bridging 10/100BaseT ports, 8 × E1 ports

FCD-155E/48/2U/8E1

-48 VDC power supply, 2 bridging 10/100BaseT ports, 8 × E1 ports

FCD-155E/48R/6U/21E1E3

Redundant DC power supply, 2 bridging and 4 transparent 10/100BaseT ports, 1 × E3 ports and 21 × E1 ports

FCD-155E/ACR/2U/21E1

Redundant AC power supply, 2 bridging 10/100BaseT ports, 21 × E1 ports

SPECIAL CONFIGURATIONS

Please contact your local RAD partner for additional configuration options.

SFP TRANSCEIVERS

(For redundancy, order two SFP transceivers)

STM-1/OC-3 Uplink

SFP-1 STM-1/OC-3, 1310 nm multimode LED, LC connector

SFP-2 STM-1/OC-3, 1310 nm single mode laser (S1.1), LC connector

SFP-3 STM-1/OC-3, 1310 nm, single mode laser, long haul (L1.1), LC connector

SFP-4 STM-1/OC-3, 1550 nm single mode laser, long haul (L1.2), LC connector

SFP-4D STM-1/OC-3, 1550 nm single mode laser, long haul (L1.2), LC connector, DDM

SFP-11 STM-1/OC-3, electrical interface, mini-BNC coaxial connector

SFP-18a STM-1/OC-3, Tx – 1310, Rx – 1550, 9/125 single mode (single fiber), laser (WDM), LC connector

SFP-18b STM-1/OC-3, Tx – 1550 Rx – 1310, 9/125 single mode (single fiber), laser (WDM), LC connector

SFP-19a STM-1/OC-3, Tx – 1490 Rx – 1570, 9/125 single mode (single fiber), laser (WDM), LC connector

SFP-19b STM-1/OC-3, Tx – 1570 Rx – 1490, 9/125 single mode (single fiber), laser (WDM), LC connector

Note: *It is strongly recommended to order this device with **original** RAD SFPs installed. This will ensure that prior to shipping, RAD has performed comprehensive functional quality tests on the entire assembled unit, including the SFP devices. RAD cannot guarantee full compliance to product specifications for units using non-RAD SFPs.*

FCD-155E

STM-1/OC-3 Add-Drop Multiplexer

SUPPLIED ACCESSORIES

CBL-MINIBNC-BNC

Cable for adapting two mini-BNC connectors to full sized BNC connectors (supplied with SFP-11)

AC power cord (when AC power supply is ordered)

DC adapter plug (when DC power supply is ordered)

RM-34

Hardware for mounting one unit in a 19-inch rack

OPTIONAL ACCESSORIES

CBL-DB9F-DB9M-STR

Control port cable

FCD-155E-PS/AC

100-240 VAC power supply module

FCD-155E-PS/48

-48 VDC power supply module

CBL-G703-8/^

8E1/8T1 interface cables for the DB-44 connector (one cable required per interface):

Legend

^ Connector type:

RJ45 splits into 8 E1/T1 balanced RJ-45 connectors

RJ45/X splits into 8 E1/T1 balanced RJ-45 connectors (cross-cable)

COAX splits into 8 pairs of E1 unbalanced BNC male connectors

OPEN 8 x 4 unterminated free leads, 2m (6.6 ft)

CBL-G703-14/#

14E1/14T1 interface cable for the DB-62 port connector

CBL-G703-28/#

Two CBL-G703-14/# interface cables for the DB-62 port connector, to provide 21E1/28T1 capacity

Legend

Connector type:

RJ45 splits into 14 E1/T1 balanced RJ-45 connectors

COAX splits into 14 pairs of E1 unbalanced BNC male connectors

OPEN 14 x 4 unterminated free leads 2m (6.6 ft)

PATCH for connection to 2 Telco connectors, 2m (6.6 ft)

OP-A-ADAPTOR-28RJ

Patch panel, two CBL-G703-14/Patch cables are not included.

OP-A-ADAPTOR-21BNC-FCD155E

Patch panel, includes two CBL-G703-14/Patch cables.

1988-2017/16 (1.1) Specifications are subject to change without prior notice. © 1988-2017 RAD Data Communications Ltd. RAD products/technologies are protected by registered patents. To review specifically which product is covered by which patent, please see ipr.rad.com. The RAD name, logo, logo type and the product names MINID, Optinix, Airmux, and Pmux, are registered trademarks of RAD Data Communications Ltd. All other trademarks are the property of their respective holders.

International Headquarters

24 Raoul Wallenberg Street
Tel Aviv 69719, Israel
Tel. 972-3-6458181
Fax 972-3-6498250, 6474436
E-mail market@rad.com



http://www.cbnetworks.fr

12 avenue des prés
78059 St Quentin en Yvelines

Tel: 33 (0)1 77 55 03 00
Fax: 33 (0)1 30 44 11 95

E-mail: sales@cbnetworks.fr



Your Network's Edge