

Family Product Name

# ASM-MN-214

Chassis for Short Range Modems



## High density 19-inch modem rack

- Any combination of up to 14 modem cards
- Fiber optic and copper wire modems in a single modem rack
- Hot swapping of cards and power supplies
- Optional power feeding from different sources (AC or DC)
- Separate power supplies for full redundancy

ASM-MN-214 is a 19", 4U high, rack-mount chassis for short range modems. The chassis accommodates up to 14 FOM-20/R, RIC-E1/R or RIC-T1/R cards.

Cards can be removed or inserted during operation without interference to operation of other cards.

ASM-MN-214 provides a cost effective and reliable concentration point for multiple baseband links supporting last mile or campus applications.

ASM-MN-214 can be powered from either AC or DC power sources, or from both. Each power supply supports a full rack of cards, regardless of type. The chassis accommodates two separate power supplies that back up each other in case of failure. Each power supply can be replaced during operation without affecting the operation of other modems (hot swapping).



data communications

The Access Company

# ASM-MN-214

## Chassis for Short Range Modems

### Specifications

#### Number of Slots

14 slots for cards

#### Power

115 or 230 VAC (±10%), 100W  
47-63 Hz  
48 VDC, 150W, 42-64 VDC  
24 VDC, 150W, 18-32 VDC

#### Connectors

Line: 14 5-screw, snap-type terminal blocks  
DTE: 14 25-pin, D-type female connectors

#### Physical

Height: 18.0 cm (7.0 in) (4U)  
Width: 48.2 cm (19.0 in)  
Depth: 26.7 cm (10.4 in)  
Weight: 3.6 kg (7.9 lb) (chassis only)

#### Environment

Temperature: 0°-50°C (32°-122°F)  
Humidity: up to 90%, non-condensing

### Ordering

#### ASM-MN-214/#/\*/ε

##### Legend

# Main power supply:  
**115** 115 VAC  
**230** 230 VAC  
**48** 48 VDC  
**24** 24 VDC

\* Redundant power supply:  
**115** 115 VAC  
**230** 230 VAC  
**48** 48 VDC  
**24** 24 VDC

ε Line connector:  
(Default = terminal block)  
**RJ** RJ-45  
**BNC** A pair of BNC

#### ASM-214-PS/\*

Additional (redundant) power supply

#### SUPPLIED ACCESSORIES

AC power cord (with AC power supply only)

DC adapter plug (with DC power supply only)

#### OPTIONAL ACCESSORIES

##### ASM-MN-214-BP

Blank panel for ASM-MN-214

Table 1. Cards for ASM-MN-214

| Module Type         | Module Name        | Main Features              |
|---------------------|--------------------|----------------------------|
| Fiber optic modem   | FOM-20/R           | 19.2-256 kbps, fiber optic |
| Interface converter | RIC-E1/R, RIC-T1/R | E1/T1                      |

*Note: See specific data sheets for details on each card.*

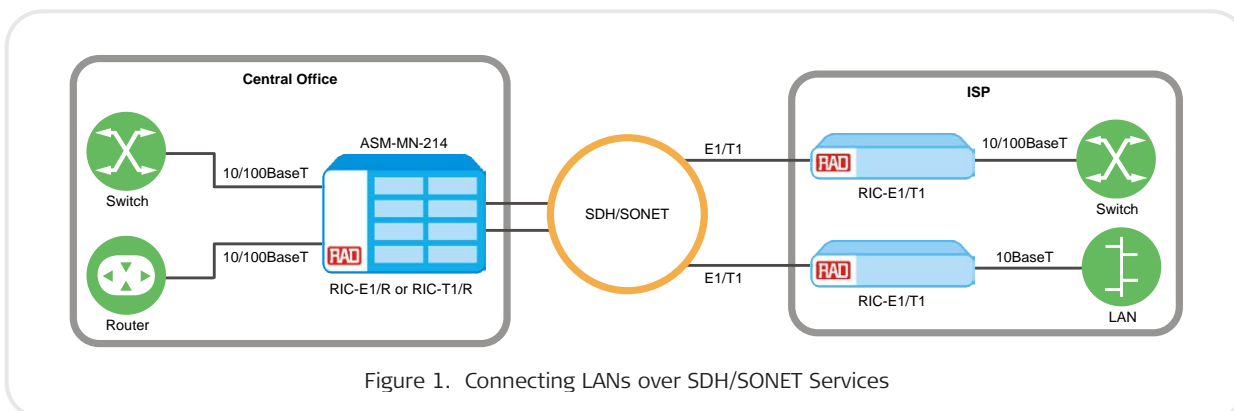


Figure 1. Connecting LANs over SDH/SONET Services

**International Headquarters**  
24 Raoul Wallenberg Street  
Tel Aviv 69719, Israel  
Tel. 972-3-6458181  
Fax 972-3-6498250, 6474436  
E-mail market@rad.com



12 avenue des prés  
78059 St Quentin en Yvelines  
Tel: 33 (0)1 77 55 03 00  
Fax: 33 (0)1 30 44 11 95  
E-mail: sales@cbnetworks.fr



**data communications**  
The Access Company