

Data Sheet

BE-1

Coax to Twisted Pair Converter for E1



RAD

data communications
The Access Company

- Conversion between coax interface and twisted pairs for E1 applications (2.048 Mbps)
- Enables standard ISDN primary rate installation over existing coax cables
- No AC or DC power required
- Insensitive to signal direction
- Immediate installation
- Miniature, lightweight Balun

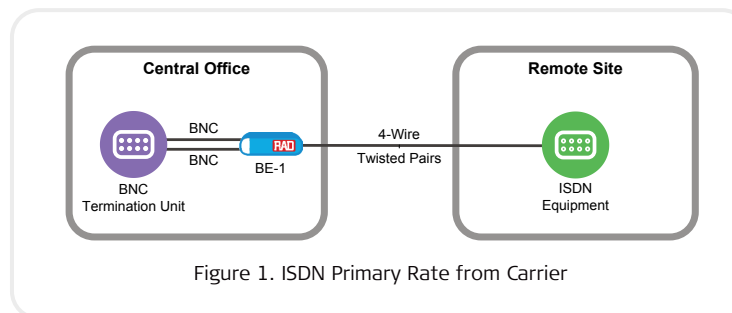


Figure 1. ISDN Primary Rate from Carrier

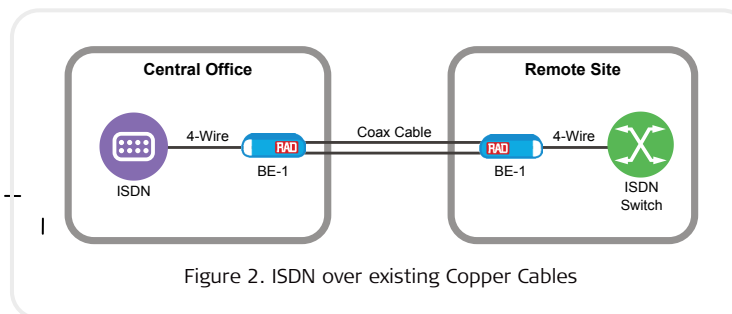


Figure 2. ISDN over existing Copper Cables

The BE-1 Balun (coax to twisted pair converter) enables any E1 equipment with coax interface to operate over two twisted pairs (4-wire interface), as shown in *Figure 1*.

Two BE-1 units back-to-back allow 4-wire ISDN equipment to operate over existing coax cables (see *Figure 2*).

BE-1 is insensitive to the direction of the signal, allowing transmit and receive lines to be reversed without affecting operation.

BE-1 is a miniature, lightweight Balun. It operates without AC or DC power and provides up to 1000V isolation voltage for protection against AC and DC overvoltage on the line.

Specifications

Standards

Supports ITU G.703 pulse mask on unbalanced and balanced sides

Data rate

2.048 Mbps

Unbalanced Interface

Line impedance: 75 Ω , unbalanced

Connectors: 2 x BNC (female or male) (see *Ordering*)

Balanced Interface

Line impedance: 120 Ω , balanced

Connector: RJ-45, 8-pin

Pinout

| RJ-45 | BNC-1 | GND | BNC-2 |
|-------|-----------------|-----|--------|
| 1 | | | Shield |
| 2 | | | Core |
| 3,6 | | GND | |
| 4 | Shield | | |
| 5 | Core | | |
| 7,8 | (Not connected) | | |

Power

Operates without external power supply



Physical

Length: 50 mm/2.0 in
Width: 50 mm/2.0 in
Height: 24 mm/0.9 in
Weight: 50g/1.8 oz

Environment

Temperature: 0-50°C / 32-122°F
Humidity: up to 90%, non-condensing



Ordering

BE-1/*

Legend

- * Connectors:
 - F BNC female
 - M BNC male

International Headquarters

24 Raoul Wallenberg Street
Tel Aviv 69719, Israel
Tel. 972-3-6458181
Fax 972-3-6498250, 6474436
E-mail market@rad.com

North America Headquarters

900 Corporate Drive
Mahwah, NJ 07430, USA
Tel. 201-5291100
Toll free 1-800-4447234
Fax 201-5295777
E-mail market@radusa.com

Order this publication by Catalog
No. 801196



data communications
The Access Company

www.rad.com

271-100-11/12 Specifications are subject to change without prior notice. © 1988-2011 RAD Data Communications Ltd.
The RAD name, logo, logotype, and the terms EtherAccess, TDMoIP and TDMoIP Driven, and the product names Optimux



<http://www.cbnetworks.fr>

12 avenue des prés
78059 St Quentin en Yvelines

Tel: 33 (0)1 77 55 03 00
Fax: 33 (0)1 30 44 11 95

E-mail: sales@cbnetworks.fr