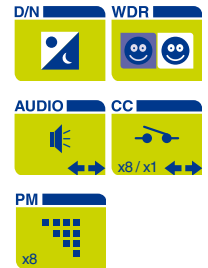


HD66WDR

IP PTZ dome with D/N & wide dynamic range (outdoor)

Features

- Quad stream support- H.264/ Dual-MPEG-4 / MJPEG
- 35x Optical Zoom/12x digital zoom
- Day/Night with IR-cut filter
- Wide Dynamic Range
- Electronic Image Stabilization
- 400°/second Preset targeting
- 256 presets/8 programmable cruises
- Contact Closures (alarms) 8x in / 1x out
- Two-way audio
- Bidirectional PTZ Coordinate Data



Description

The Siquira® HD66 WDR ensures excellent pictures even in the most difficult circumstances by offering features such as day/night, digital slow shutter, wide dynamic range, and image stabilizer.

Quad Streaming

The versatile HD66 WDR is capable of streaming H.264, dual MPEG-4 and MJPEG simultaneously. Each stream is optimized for its purpose, e.g., high-quality MJPEG live viewing, low-bandwidth H.264 or MPEG-4 storage, and low-resolution MJPEG for web applications or remote devices (e.g., PDAs). The H.264 implementation is based on dedicated hardware resulting in unparalleled video quality.

Open Streaming Architecture (OSA)

The HD66WDR is designed to comply with the worldwide adopted standards for streaming video. Its OSA offers standardized streaming video and remote control. All streaming protocols are based on approved standards and tested with different vendors. A comprehensive HTTP API gives access to all controls and makes integration with third party VMS easy. In addition, the HD66WDR supports Siquira®'s unique MX™ protocol.

High-Speed Dome

This high-speed PTZ dome has 35x autofocus zoom lens with the 12x digital zoom. Because the lens can move in almost any direction (pan and tilt), this camera offers a wide view precise without missing the smallest details. In addition, the precision 400° per second pan and tilt drive technology offers almost instant preset positioning.

Day/Night and Backlight Compensation

The HD66 WDR is provided with an automatic Day/Night functionality, which is used in low light situations and a Backlight Compensation functionality for use in different scenes. This means, the HD66 WDR provides a clear picture for the operator, no matter what the lightning situation is.

Audio, I/O Contacts and Analog Output

By combining streaming video with duplex audio and I/O contacts over IP, the HD66 WDR provides all the interfaces necessary for any IP CCTV application. The balanced audio inputs/outputs are suitable for all industrial audio systems. With its analog output, the HD66WDR is a hybrid solution and can provide local video for a public view monitor or local DVR.

Image Stabilizer

When the high-speed dome is in its maximum zoom range, every small movement of the camera gives a relatively large movement in the picture. The image stabilizer digitally compensates this movement for a stable picture. This feature is especially useful for pole-mounted domes.

Privacy Masks

Privacy masks cover sections of the image and shrink or grow according to the camera's zoom. This feature is often requested for such situations as city center surveillance and point of sale keypads.

Ordering Information

Model	Description
HD66WDR /N	IP high-speed PTZ Dome Camera, day/night, IP66, incl. sunshield
HD66WDR /P	IP high-speed PTZ Dome Camera, day/night, IP66, incl. sunshield

*WM02 is included with each outdoor MD and HD camera

HD66WDR

Technical specifications

IP PTZ dome with D/N & wide dynamic range
(outdoor)

Camera

Image sensor	1/4" Progressive Scan CCD	
Optical zoom	35x	
Digital zoom	12x	
Resolution	NTSC	PAL
Effective pixels	380k	440k
Horizontal resolution	540 TVL	540 TVL
D1	720x480	720x576
1/2D1	352x480	352x576
2CIF	720x240	720x288
CIF	352x240	352x288
QCIF	176x120	176x144
Electronic shutter	1~1/30 k s	
Synchronization	Internal/line lock	
Video output	1.0 Vpp/75Ω, RJ45	
S/N ratio	>50 dB (AGC off)	
Minimum illumination	0.05 lux, 0.01 lux (B/W)	
Focal length	3.4~119mm	
Focus mode	Auto/ manual	
White balance	Auto/ manual	
Iris control	Auto/ manual	
AGC control	Auto/ manual	
Backlight compensation	On/ Off	

Audio

Two-way audio	Line out, Line in/mic in (jack Ø3.5 mm)
---------------	---

Functions

Motion detection	On/ Off
Day/ Night (IR-cut filter)	On/ Off
Digital slow shutter	On/ Off
Wide Dynamic Range	On/ Off
	(Ratio/Shutter/Iris levels 0-128)
Stabilizer	On/ Off (5hz/10Hz)

Contact Closures

Inputs	8
Outputs	1
Reactions	Preset, Sequence, Auto pan, Cruise

Network

Interface	RJ45
Protocol	H.264 BP, MPEG-4 ES, RTP, UDP, IP, DHCP, IGMPv2, RTSP, (S)NTP, MX/IP, HTTP, SNMP v2, DiffServ, SAP, UPnP

Mechanical

Dimension (h x w x d)	Ø190 x 302.5 mm (Ø7.5 x 11.9 in.)
Weight	6 kg (13.2 lbs.)
Color	RAL-9003 (Signal White)

Video

Number of video streams	H.264, 2x MPEG-4 and/or MJPEG
Frame rate	1 to 30 fps
Compression algorithm	H.264 BP (ISO/IEC 14496-10), MPEG-4 SP Layer 5 (ISO/IEC 14496-2), MJPEG
Type of streaming	UDP/IP (multi- and/or unicast)
Number of output streams	Up to 20
Video Motion Detection	Yes (user-defined masking)
Encoding latency	<130 ms typ
GOP structure	I, IP (selectable/user profiles)
Quad streaming	D1@30fps H264 + D1@30fps MPEG-4 + CIF@1fps MJPEG
Output data rate	up to 20 Mb/s (CBR or VBR selectable/user profiles)
Video settings	User profiles, contrast, brightness, color saturation, hue, sharpness
Video overlay	3x Text lines (configurable: position, color, border/outline color, font size), 1x image in BMP, GIF, or JPEG format (configurable: position, scaling)

Pan/Tilt

Pan travel	360° continuous
Tilt travel	-10° ~ 190°
Preset speed	400°/s
Manual speed	0.5° ~ 90°/s
Presets	256 presets
Preset accuracy	0.225°
Cruise	8
Sequence	8
Auto pan	4
Proportional pan & tilt	On/ Off
Resume after power loss	Yes
Zone title	16
Home function	Preset, Sequence, Auto pan, Cruise
Auto flip	Digital/ Mechanical/ Off

Environmental

Operating Temperature	-45°C to +50°C (-49°F to +122°F)
-----------------------	----------------------------------

Powering

Power consumption	73W
Power	19.2 - 28.4 VAC (24VAC nominal +/- 20%)

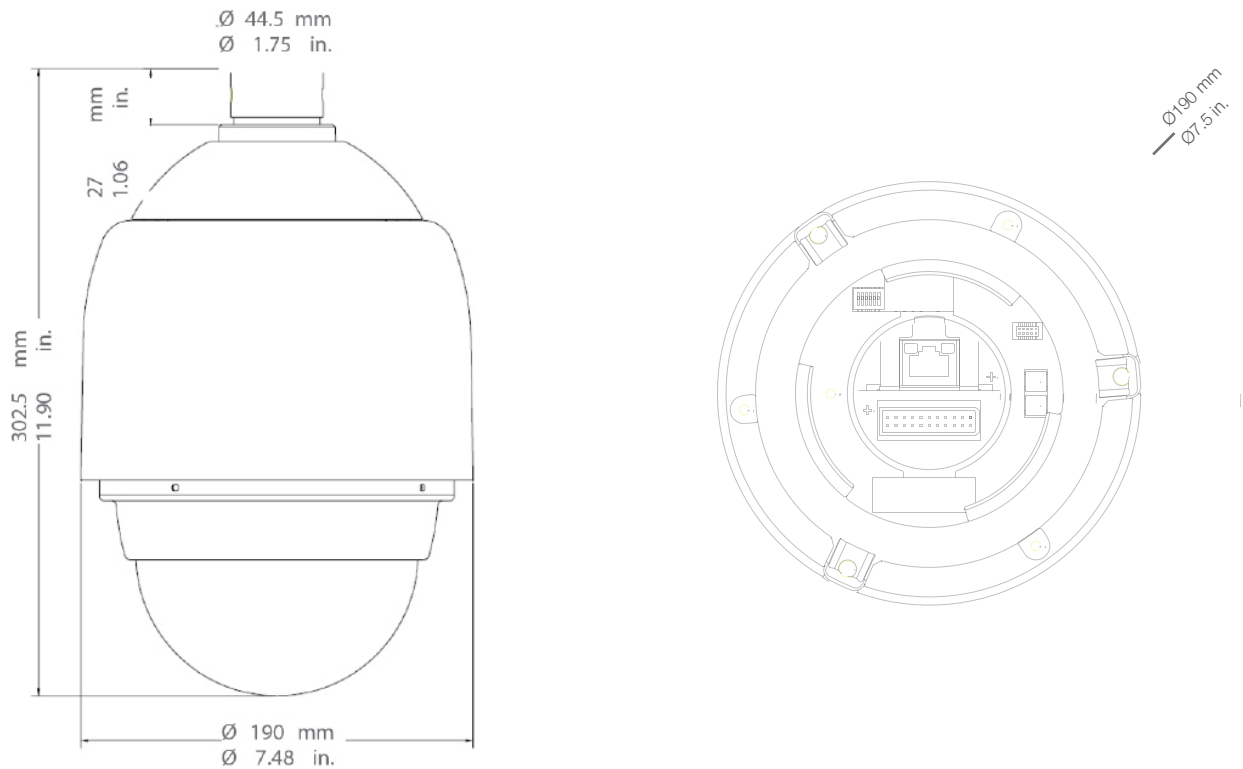


The quality management system utilized in the development, production, sales and support of this product is ISO 9001:2008 certified by LRQA.

© Optelecom-NKF Version: February 2010 V3 (First Edition) – Subject to modification

HD66WDR
Technical Drawing

IP PTZ dome with D/N & wide dynamic range
(outdoor)



Ordering Information Accessories

Model	Description
PA02 /EU	Power adapter 220~235 VAC to 24 VAC /3A for HD-series with use of heater (outdoor), with EU plug
PA02 /US	Power adapter 220~235 VAC to 24 VAC /3A for HD-series with use of heater (outdoor), with EU plug
PA03	Power adapter 100~115 VAC to 24 VAC /3A in water resistant housing
WM01	Mini wall mount for HD-series
WM02 /HD*	Tube adaptor for indoor HD-series, compatible with CM01/02 and WM03
WM03	Gooseneck tube
WM05	Corner plate, compatible with WM01 and WM03
WM06	Wall box mounting, compatible with WM01 and WM03
PM01	Pole thin direct mounting, compatible with WM01 and WM03
PM02	Pole wide direct mounting, compatible with WM01 and WM03
PM03	Pole thin box mounting, compatible with WM01 and WM03
PM04	Pole wide box mounting, compatible with WM01 and WM03
PM05	Swanneck tube

*WM02 is included with each outdoor MD and HD camera



The quality management system utilized in the development, production, sales and support of this product is ISO 9001:2008 certified by LRQA.

© Optelecom-NKF Version: February 2010 V1 (First Edition) – Subject to modification